

A

B

C

D

E

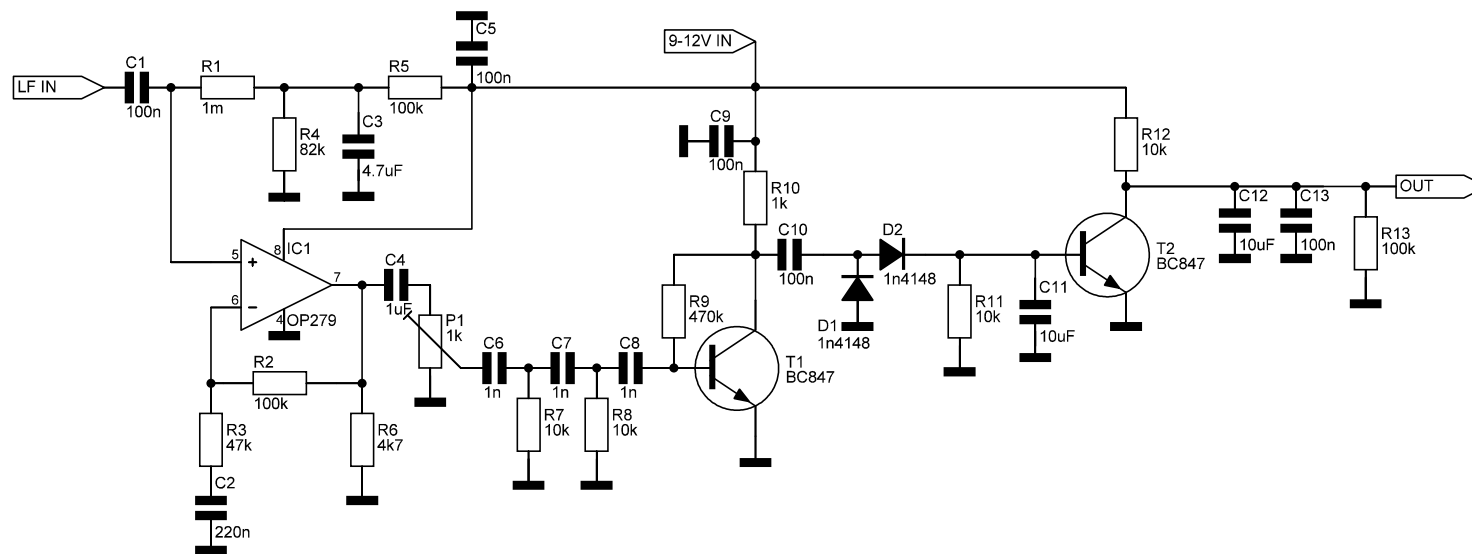
F

1

2

3

4



Modifications		Date	Name	Description	Page no.
Date	Name			Squelch circuit voor WFM PE5PVB	1
					Pages
				Schematic no.	1